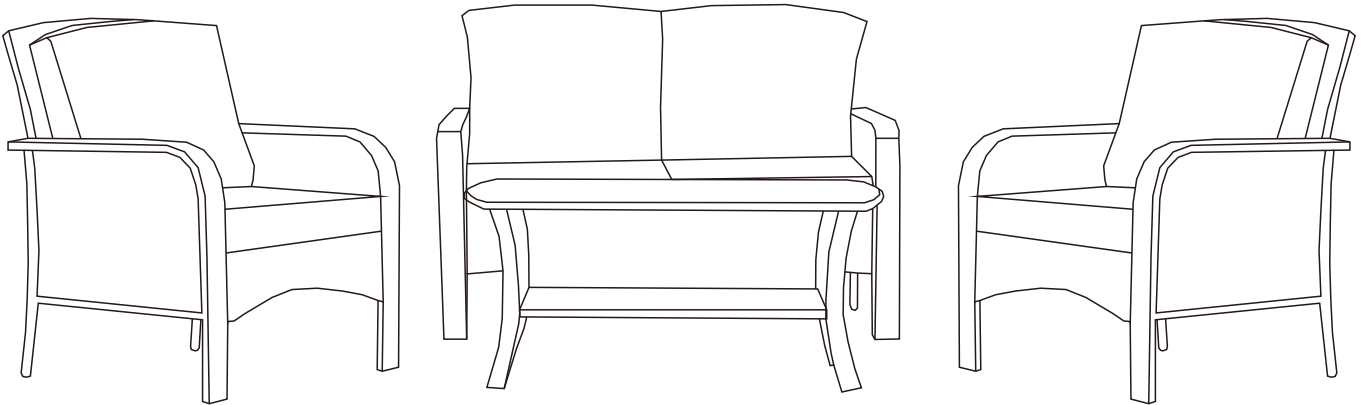
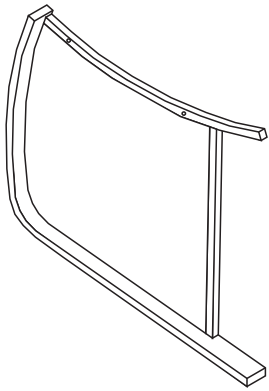


Assembly Instructions

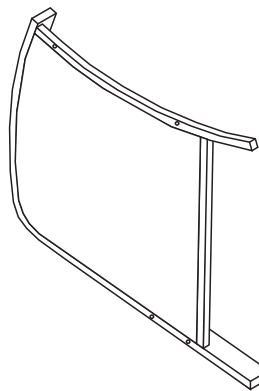


A



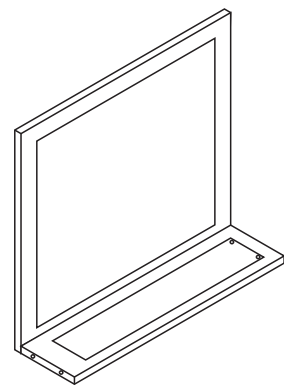
x3

B



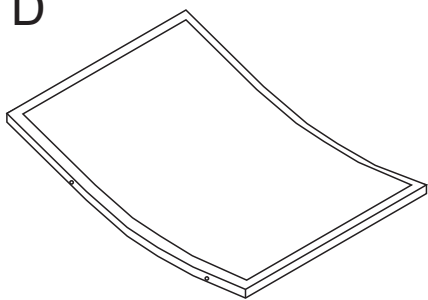
x3

C



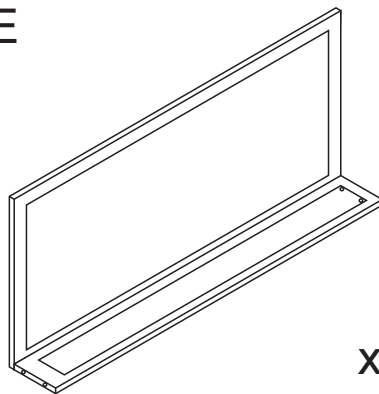
x2

D



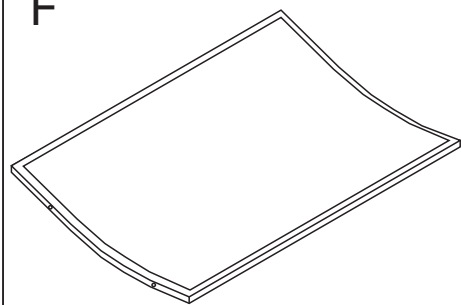
x2

E



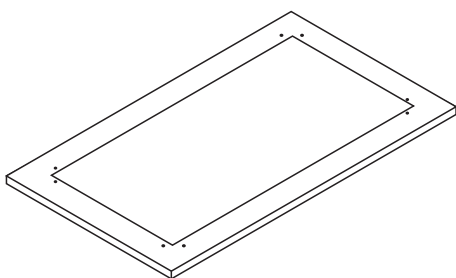
x1

F



x1

G



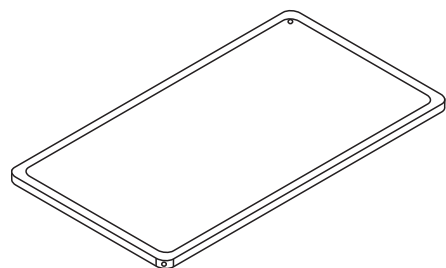
x1

H



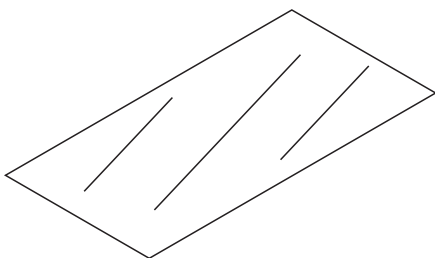
x4

I



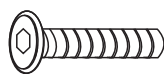
x1

J



x1

K



M6X35

x36

L



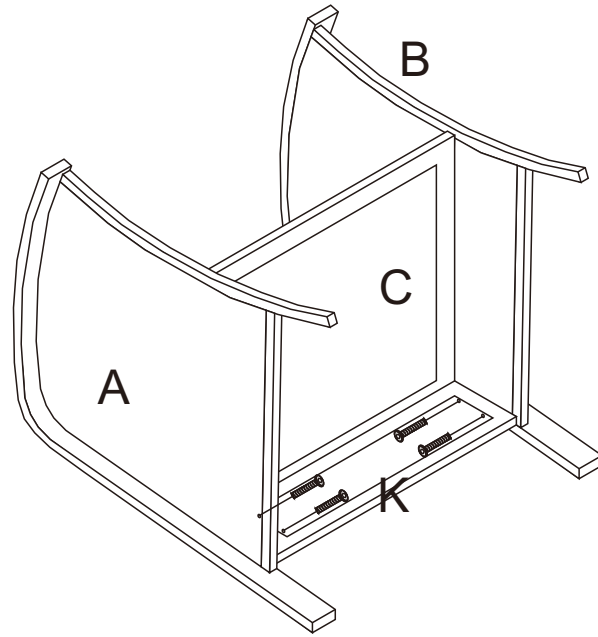
M6X16

x8

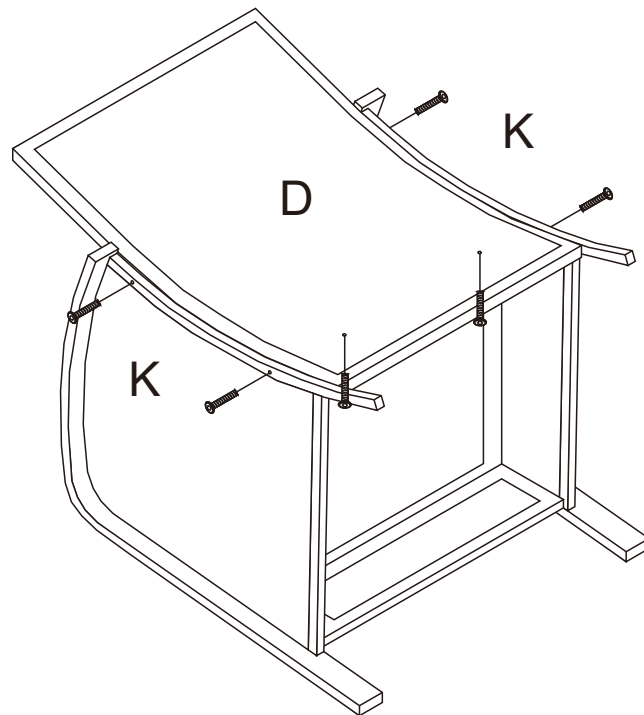


x1

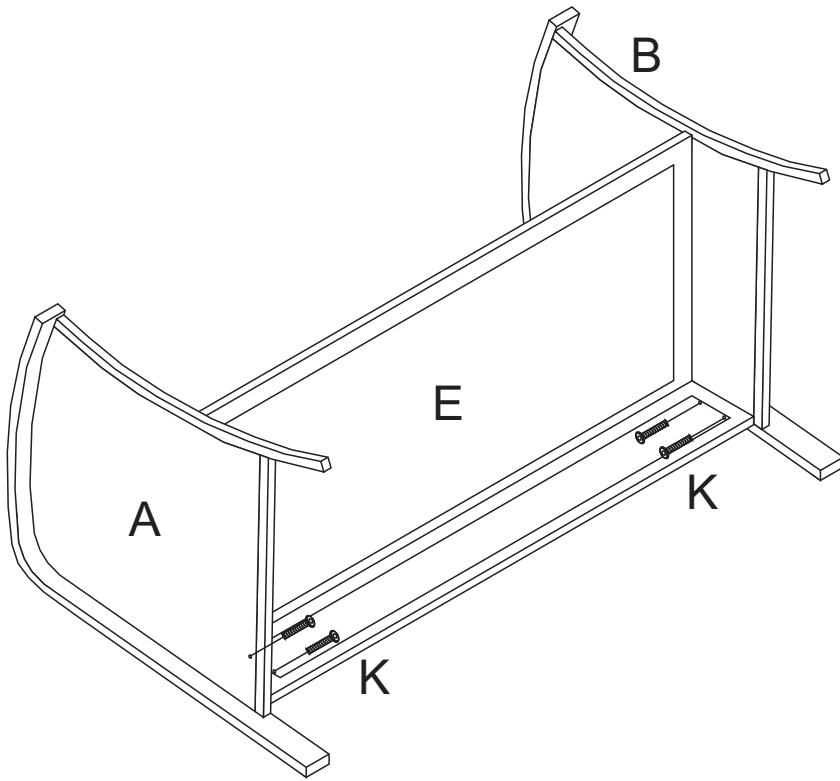
1



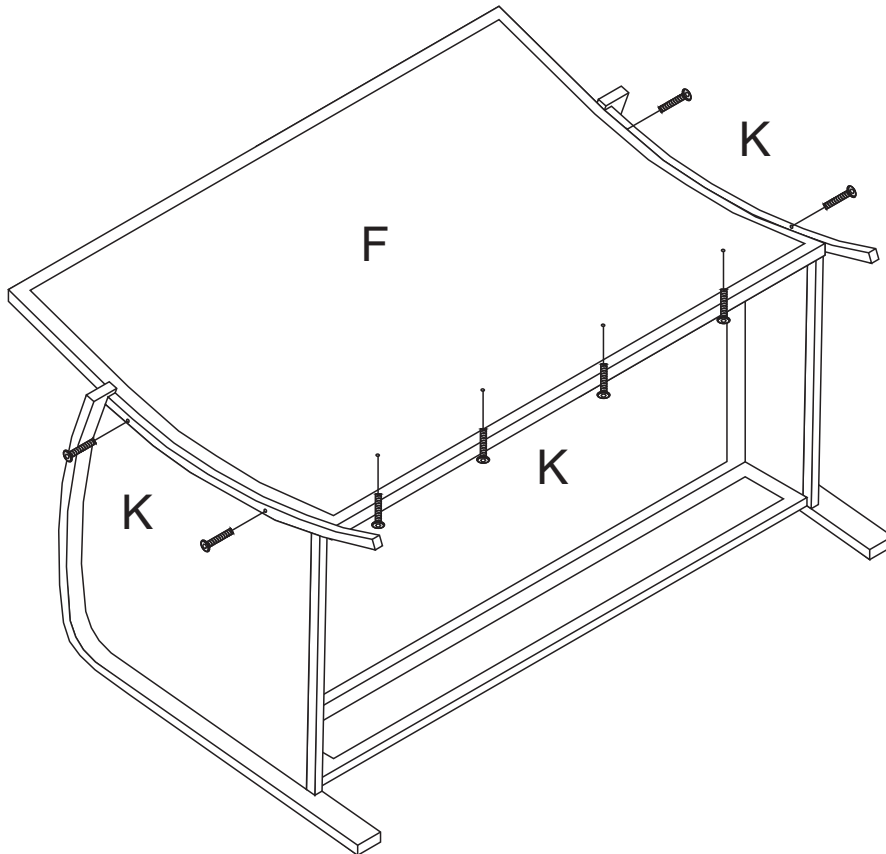
2



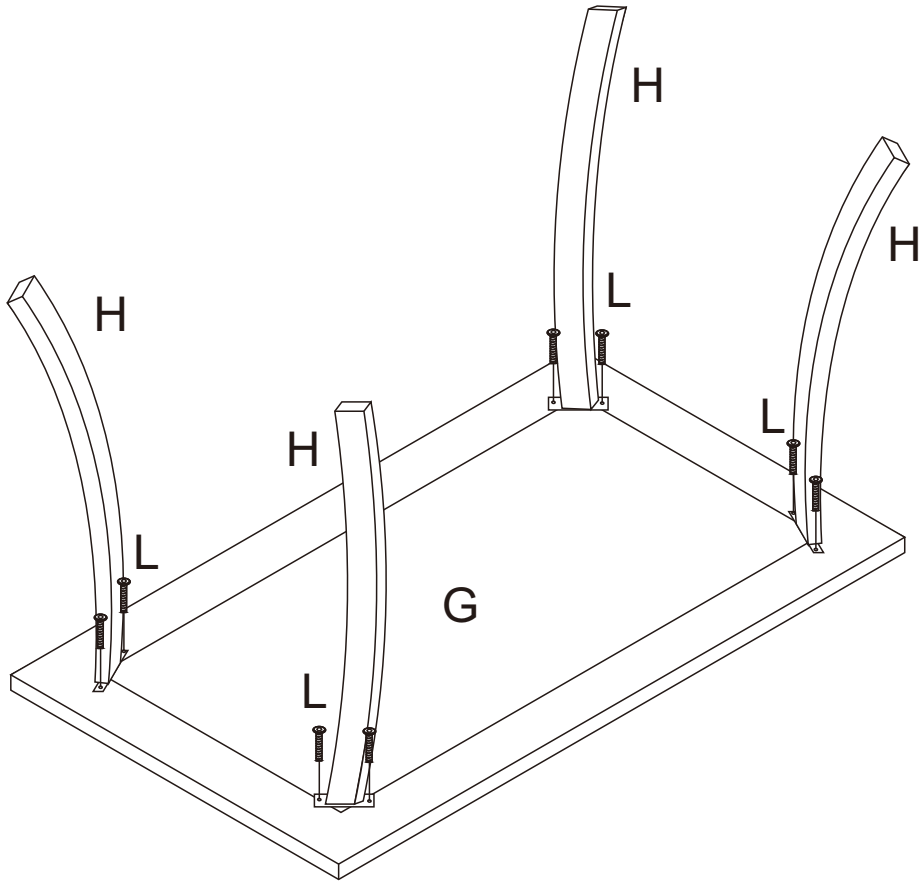
3



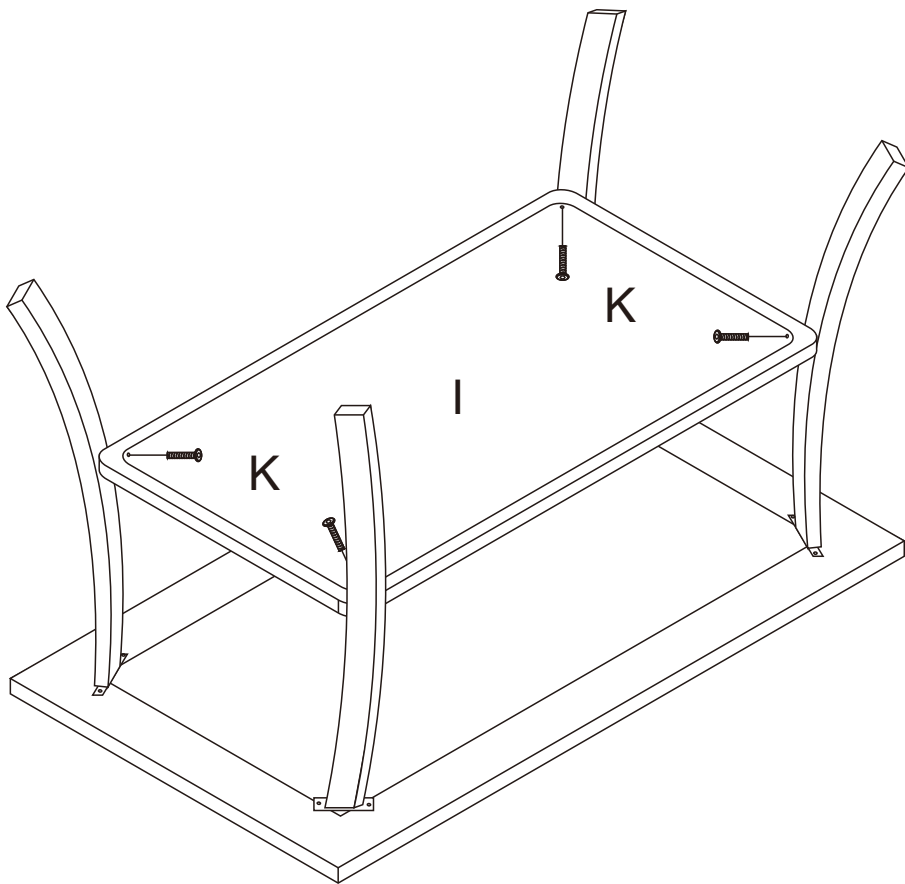
4



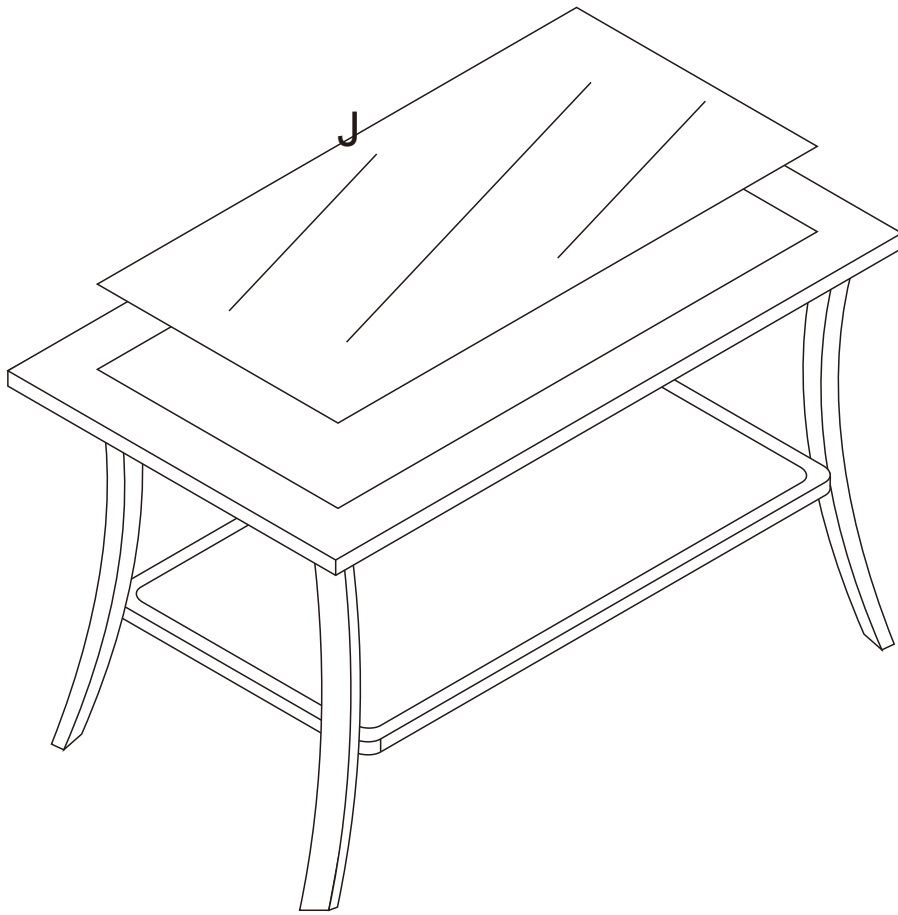
5



6



7



8

